

# MINIMUM SPACE REQUIREMENTS FOR ENCLOSED PLUMBING FIXTURE SUPPORTS

This chart is for Architects, Plumbing Engineers, Contractors and others who specify enclosed wall supports for off-the-floor plumbing fixtures.

The specific purpose is to insure that specifiers provide sufficient wall space to properly install and conceal the types of supports shown.

All dimensions shown are minimum and can be increased to accommodate required variations or accessories.

The types of fixture supports shown are detailed in ANSI A112.6.1M.



**THE PLUMBING AND DRAINAGE INSTITUTE**

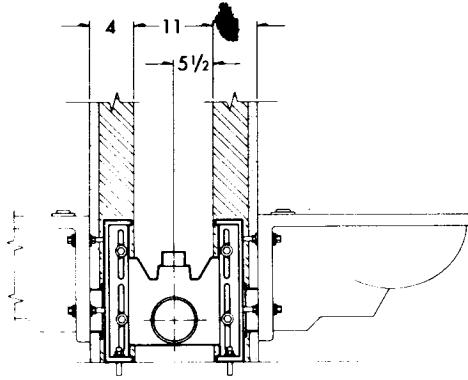
45 Bristol Drive • Suite 101 • South Easton, MA 02375

Tel: (800) 589-8956 • Fax: (508) 230-3529

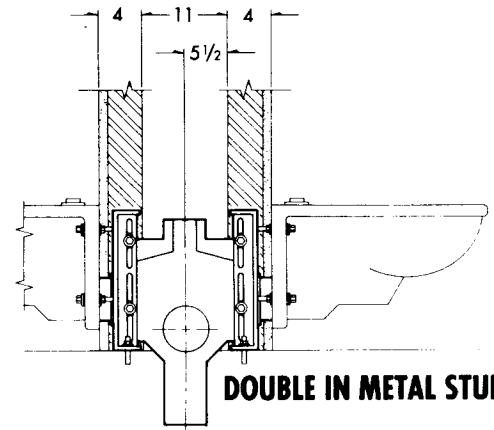
# MINIMUM SPACE REQUIREMENTS FOR EN

## Horizontal Adjustable Carriers

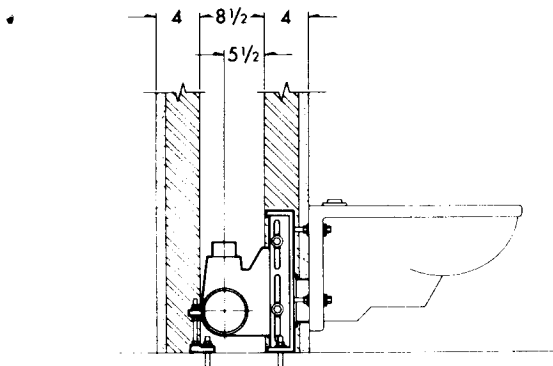
## Vertical Adjustable Carriers



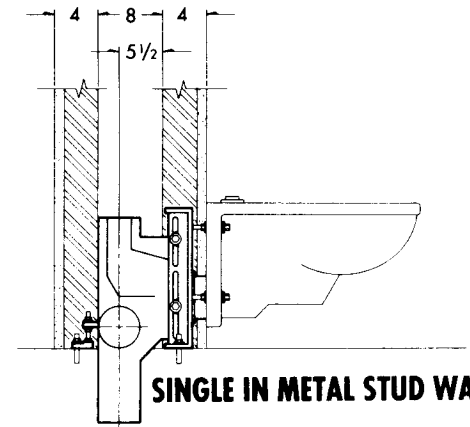
**DOUBLE IN METAL STUD WALL**



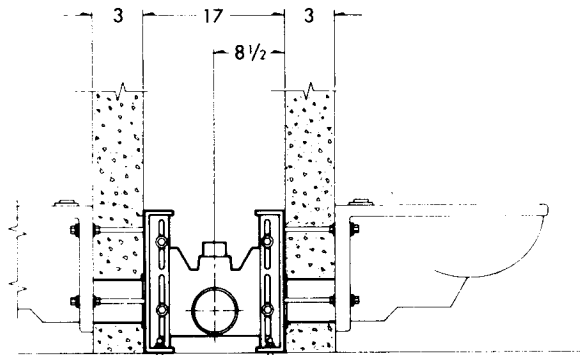
**DOUBLE IN METAL STUD WALL**



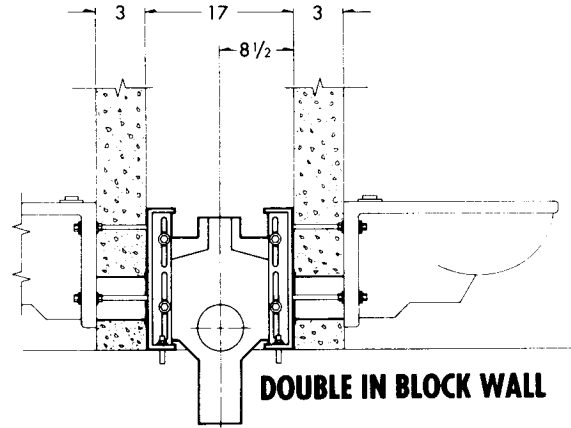
**SINGLE IN METAL STUD WALL**



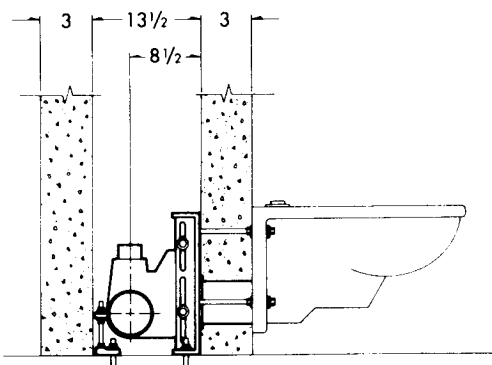
**SINGLE IN METAL STUD WALL**



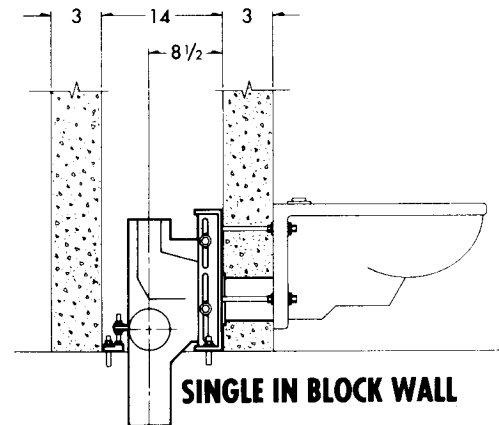
**DOUBLE IN BLOCK WALL**



**DOUBLE IN BLOCK WALL**



**SINGLE IN BLOCK WALL**



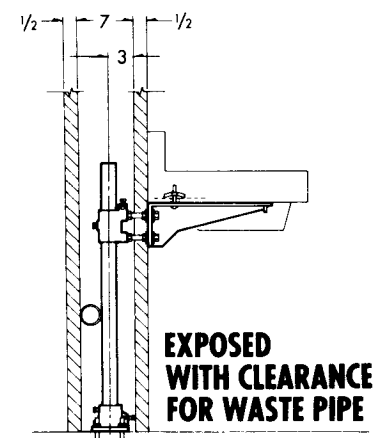
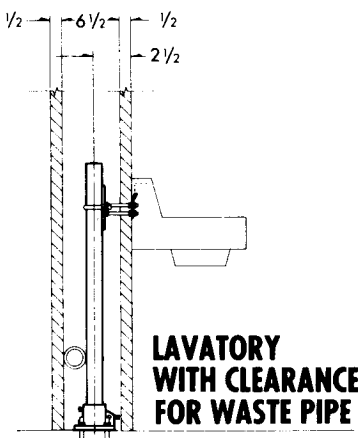
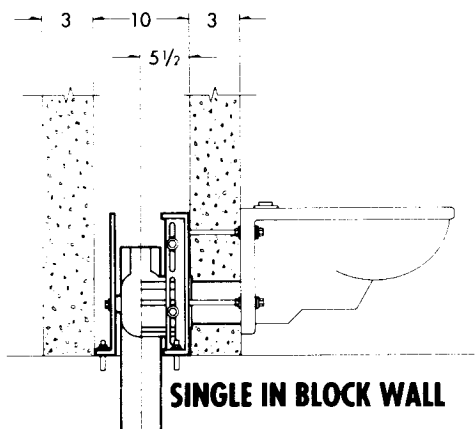
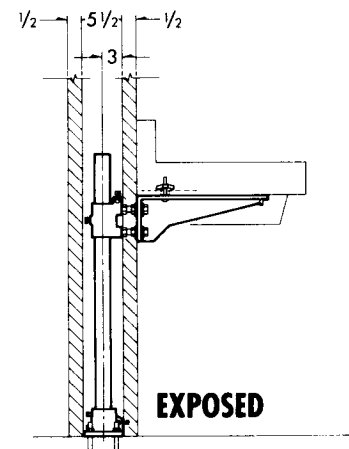
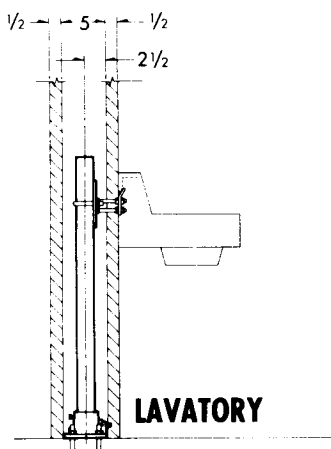
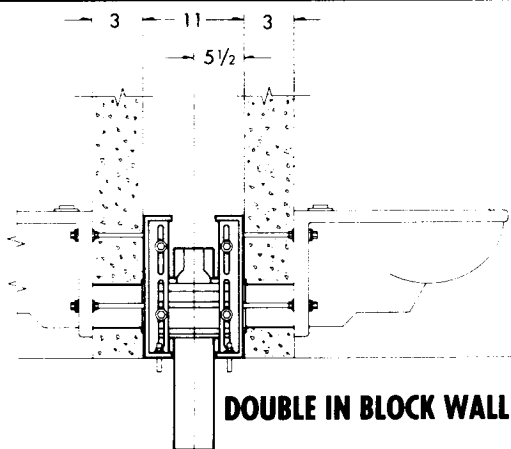
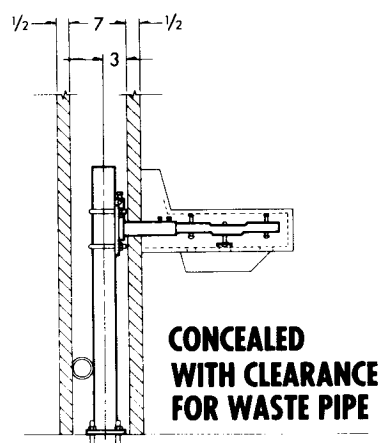
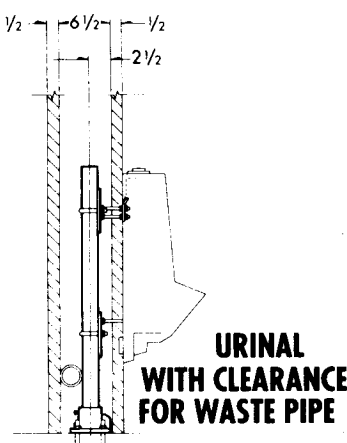
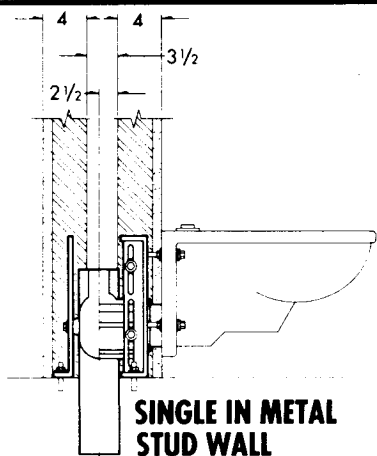
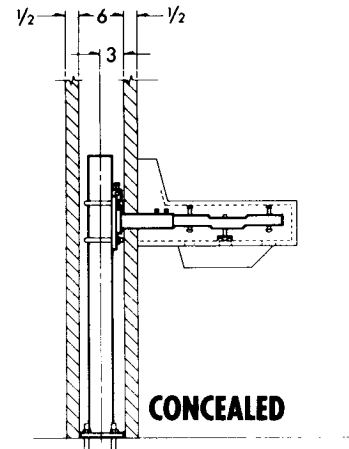
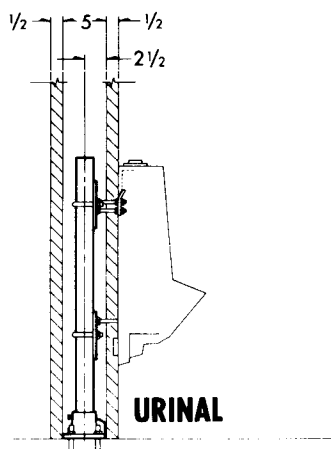
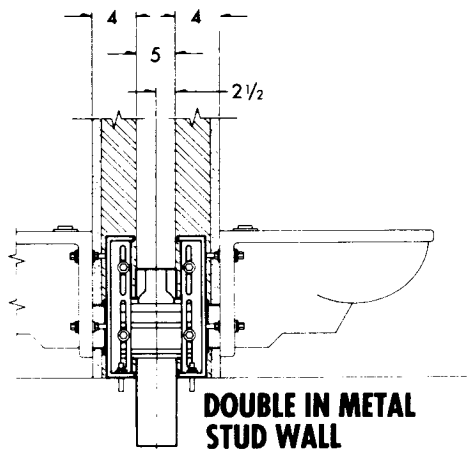
**SINGLE IN BLOCK WALL**

# CLOSED PLUMBING FIXTURE SUPPORTS

## Vertical Fixed Carriers

## Hanger Plate Carriers

## Arm Lavatory Carriers





**AN ASSOCIATION OF MANUFACTURERS  
OF PLUMBING AND DRAINAGE EQUIPMENT**

## **PUBLICATIONS**

PDI WH-201 Water Hammer Arrester Standard

PDI G-101 Standard - Testing and Rating  
Procedure for Grease Interceptors

PDI Code Guide 302 and Glossary of Industry Terms

PDI Brochure "Give Your Restroom A Lift"

## **MEMBER COMPANIES**

**JAY R. SMITH MFG., CO.**  
P.O. Box 3237  
Montgomery, AL 36109  
(334) 277-8520

**JOSAM COMPANY**  
P.O. Box T  
Michigan City, IN 46360  
(219) 872-5531

**WATTS REGULATOR COMPANY**  
815 Chestnut St.  
North Andover, MA 91845  
(508) 688-1811

### **THE PLUMBING AND DRAINAGE INSTITUTE**

45 Bristol Drive • Suite 101 • South Easton, MA 02375  
Tel: (800) 589-8956 • Fax: (508) 230-3529